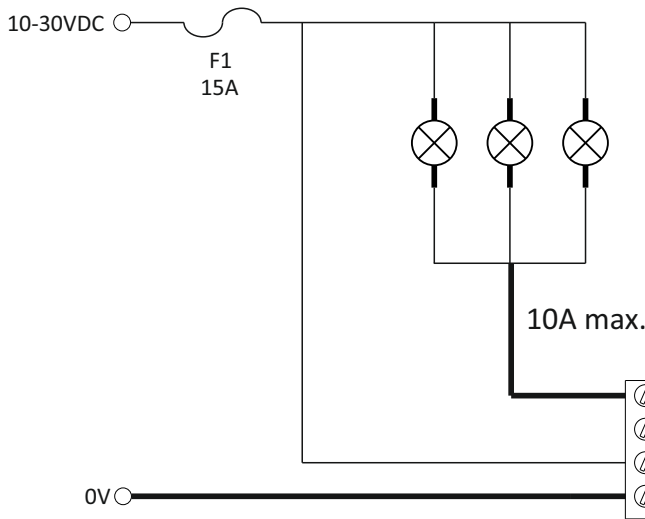
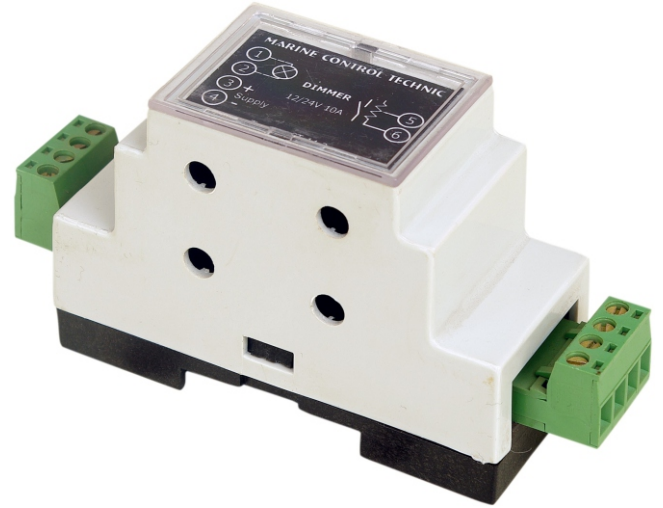


## ELECTRONIC DIMMER WIRING AND FUNCTIONS

- \* DESIGNED TO CONTROL BRIGHTNESS
- \* EASY TO INSTALL
- \* 10 A CONTINUOUS OUT
- \* POT.METER OR PUSH BUTTON CONTROL
- \* AUTO SENSE OF INPUT TYPE
- \* 10-30 VDC WIDE WORKING RANGE
- \* MULTIFUNCTION PUSH BUTTON INPUT
- \* NEW HI-TECH COMPONENT INSIDE



MATERIAL	: PLASTIC ENCLOSURE
POWER INPUT	: 10-30 VDC
CURRENT OUTPUT	: 10 A. MAX.
LOAD TYPE	: LED AND INCANDESCENT TYPE
POWER CONS. ON STBY	: 1,0 WATT
PROTECTION	: NO FUSE INSIDE
DIMENSIONS(WxHxD)	: 35mm X 86mm X 60mm
WEIGHT	: 100 gr

