

Figure 2 Jisposition Drawing

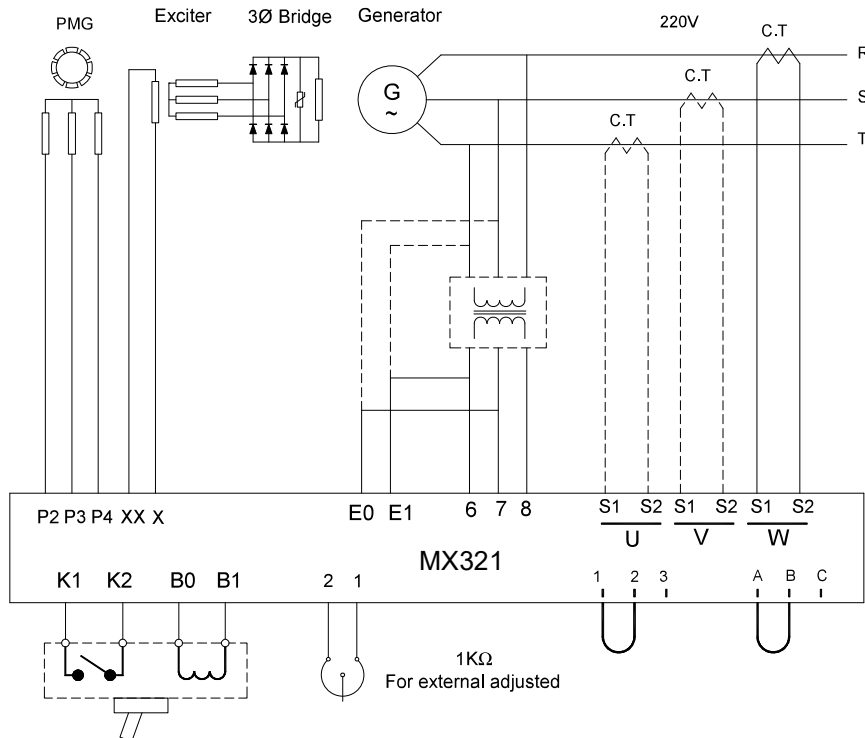


Figure 3 Wiring Drawing

Note : When the system voltage over 220VAC, a transformer is necessary at sensing input terminal is recommend.

※ If the step above can't make the charger working still please contact with us.